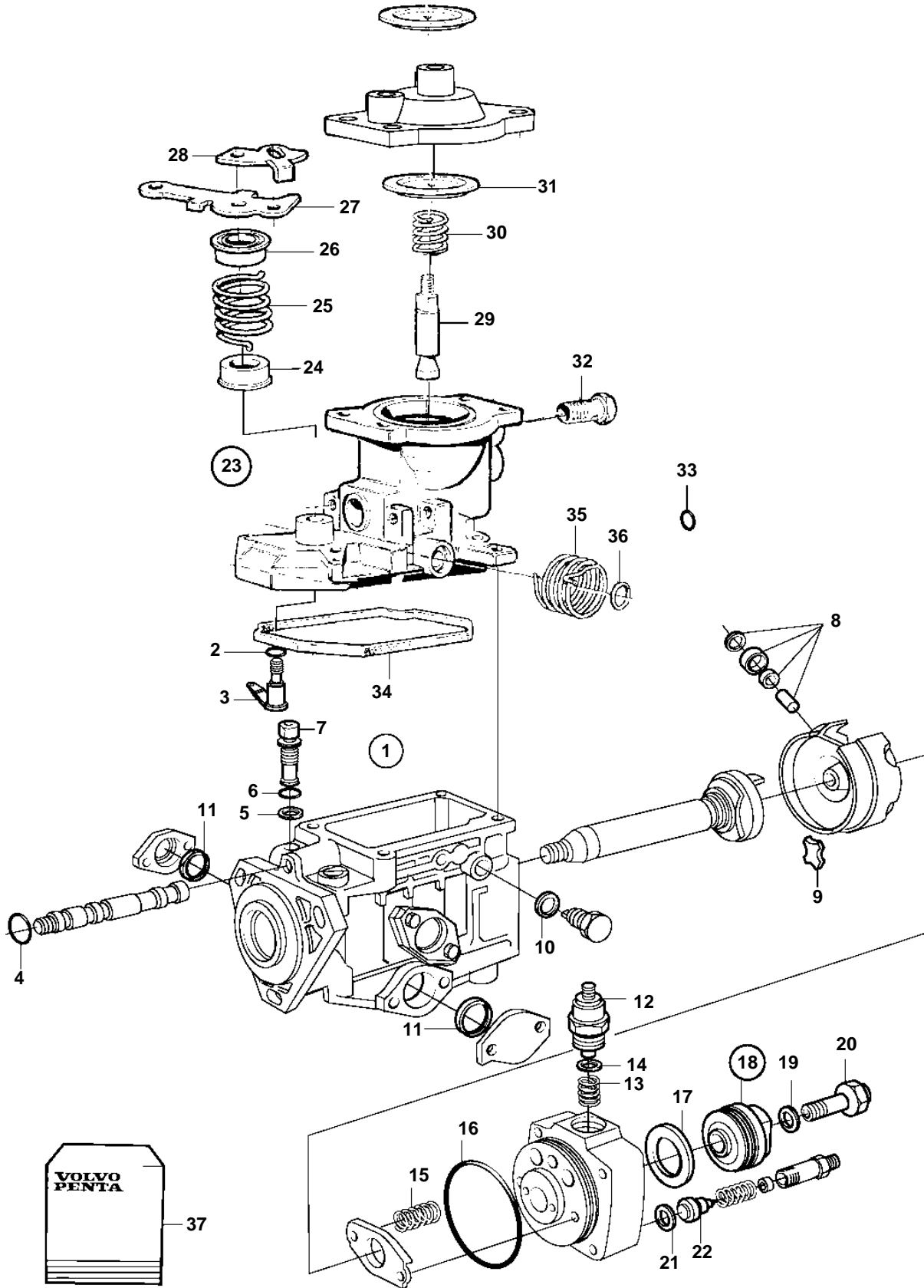


TAMD41H-A, TAMD41L-A



TAMD41H-A, TAMD41L-A

REF	PART NO.	QTY	DESCRIPTION	NOTES
1	861316	1	Injection pump	
2	243567	1	• Sealing ring	Included in gasket kit.
3	244959	1	• Control shaft	
4	243786	1	• O-ring	Included in gasket kit.
5	861520	1	• Sealing ring	Included in gasket kit.
6	243520	1	• Sealing ring	Included in gasket kit.
7	844179	1	• Valve	
8		1	• Bearing	
9	844150	2	• Absorber	Included in gasket kit.
10		2	• Washer	Included in gasket kit.
11	838445	2	• O-ring	Included in gasket kit.
12	876614	1	• Stop solenoid	12V
13	861208	1	• • Spring	
14		1	• O-ring	Included in gasket kit.
15	859482	1	• Compression spring	
16		1	• Sealing ring	Included in gasket kit.
17		1	• O-ring	
18	861491	1	• Fitting	
19		1	• O-ring	
20		1	• Screw	
21	845738	6	• Washer	
22		6	• Delivery valve	
23		1	• Governor	
24		1	• Spring disc	
25	244967	1	• Spring	
26	244972	1	• Spring disc	
27	244961	1	• Lever	TH = 1,80mm
28	244969	1	• Lever	TH = 1,95mm
29		1	• Screw	TH=2,00mm
30	859283	1	• Compression spring	TH=2,12mm
31	244944	1	• Diaphragm	TH=2,20mm
32	861514	1	• Hollow screw	TH=2,32mm
33	244963	1	• O-ring	TH=2,40mm. Included in gasket kit.
34		1	• Gasket	TH=2,50mm
35		1	• Spring	TH=2,52mm
36	844224	1	• O-ring	TH=2,80mm
37	844240	1	Gasket kit	